



**WALLTITE®**

The airtight insulation solution

# New pitched roof insulation

## Data sheet 2.1

 **BASF**

We create chemistry

# New pitched roof insulation Data sheet 2.1

## Description

WALLTITE is applied directly to the breathable roofing membrane between timber rafters in tiled or slated pitched roofs.

WALLTITE has a measured water vapour permeability, therefore it does not compromise the performance of any breathable membrane, or the timbers to dry out when subjected to periods of solar radiation.

The system minimises unwanted air leakage and air infiltration.

## Certification

BBA Certificate No. 11/4816.

WALLTITE has undergone various performance tests. Certificates are available on request.



## Technical data

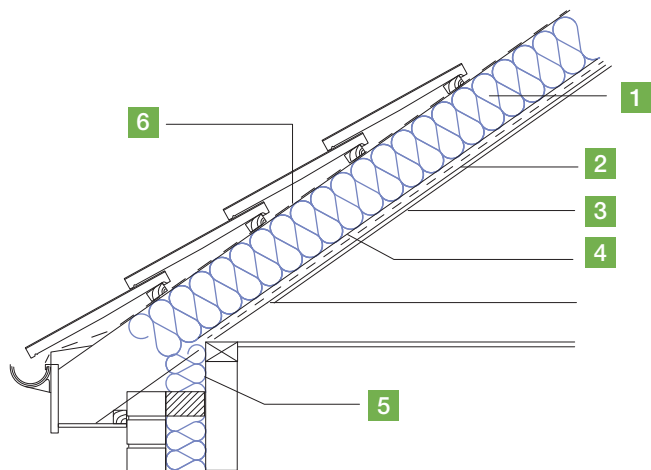
Specification:	Spray applied polyurethane foam between rafters, directly onto breather membrane
NBS clause:	P10 15A
Air leakage (50mm):	0.0033m <sup>3</sup> hrm <sup>2</sup>
Lambda 90/90:	0.025W/mK
Fire rating:	Class 1 to BS 476: Part 7
Water vapour diffusion resistance factor:	61.12
Adhesion to roof tile underlay	232kPa

## U-values

Thickness of WALLTITE (mm)	U-value (W/m <sup>2</sup> K)
200	0.13
175	0.16
150	0.18

## Typical detail:

### New roof with breathable underlay



1. WALLTITE CL100 insulation to achieve target U-value
2. Vapour control layer
3. Plasterboard and skim
4. Unventilated air space
5. WALLTITE returned to insulated cavity stop at head of wall
6. Breathable roof tile underlay

Habitable space: plasterboard and skim/VCL with taped joints VCL to be carefully cut and sealed around struts, ceiling joists and penetrations); batten/counter batten rafters as necessary to achieve insulation depth, confirm rafter strength sufficient to receive counter battening and boarding if required.

Loft space only, non habitable: insulated between and over rafters to achieve target U-value. WALLTITE may remain exposed.

